

INTEGRATED FLUORESCENT AC + EMERGENCY BALLAST

184009

FEATURES

1. For normal and emergency operation of fluorescent lamps, no need an extra electronic ballast
2. Normal and emergency mode conversion within 0.3 seconds
3. Built-in battery pack replaceable
4. Aluminum housing

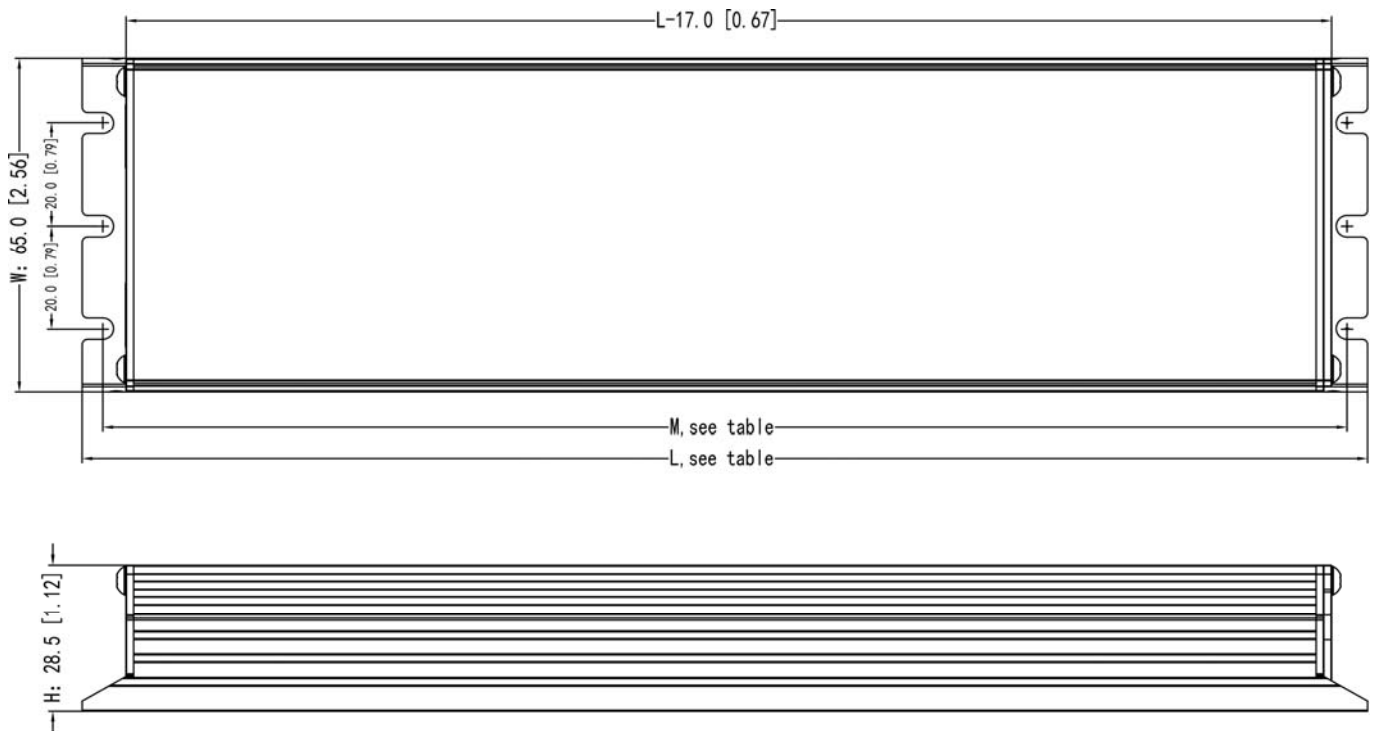


CHARACTERISTICS

Type	184009
Lamp type	T8 2x17W, 2x18W, 1x17W, 1x18W, 1x32W, 1x36W
Rated voltage	120-277VAC 50/60Hz
Rated current	0.44A
Rated power	44W
Operation frequency	320kHz \geq f \geq 50kHz
Power factor	>0.9
Battery	Ni-Cd
Charging time	24 Hours
Discharge time	>90 minutes
Charging current	0.13A (Max.)
Life time	5 years
Charging cycles	>500
Operation temperature	0-50°C (32°F-122°F)
Initial lumen output	500LM
Efficiency	70%
Abnormal protection	Over voltage, over current, Inrush current limiting, short circuit, open circuit
Wire	0.75-1.5mm ²
EMC& FCC IC standard	EN 55015, EN 61547, EN 61000-3-2, EN 61000-3-3, FCC part 18; ICES-005
Safety standard	EN 61347-1, EN 61347-2-7, UL924, CSA C.22.2 No. 141
Meas. mm [inch]	L250 [9.84] x W65 [2.56] x H28.5 [1.12] Mounting Center: 242 [9.53]

DIMENSIONS

184009

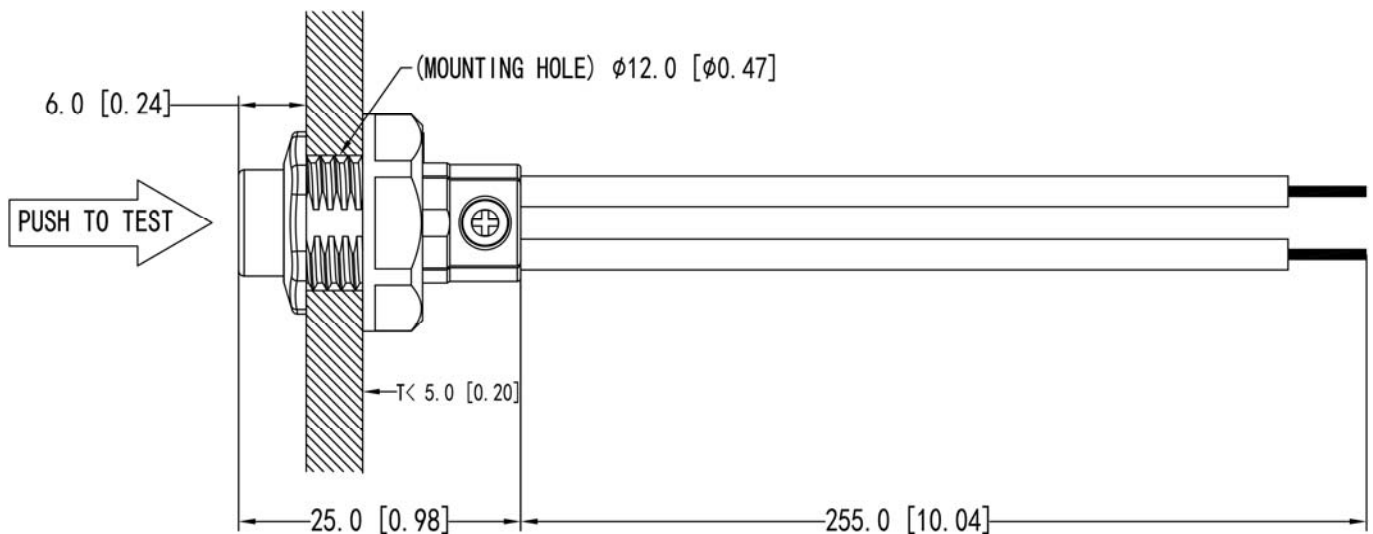


Item No.	L mm [inch]	M mm [inch]	W mm [inch]	H mm [inch]
184009	250 [9.84]	242 [9.53]	65 [2.56]	28.5 [1.12]

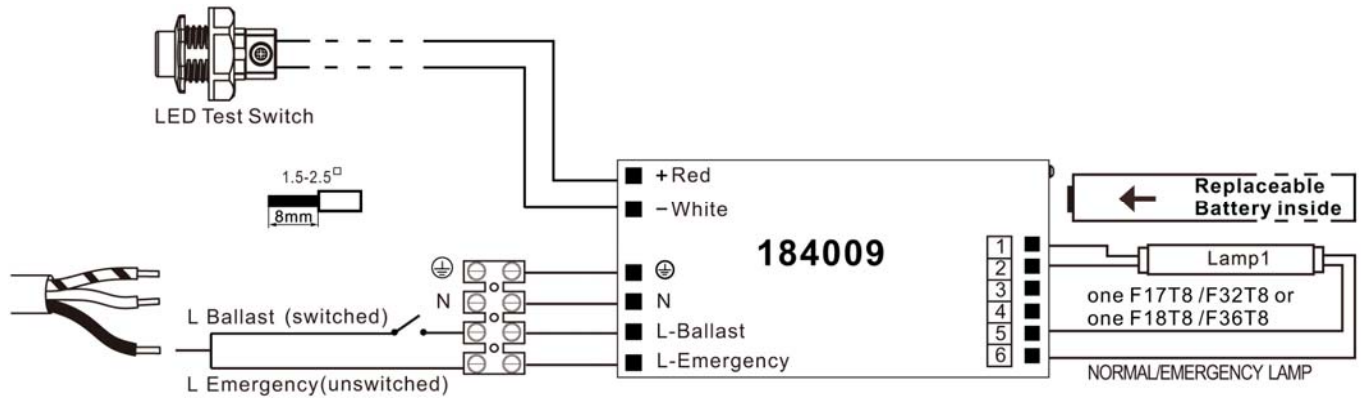
Dimension unit: mm [inch]

Tolerance: $\pm 1\text{mm}$ [0.04"]

LED TEST SWITCH DIMENSION



FOR ONE LAMP



FOR TWO LAMPS

