

18490X-X

PHENIX
Lighting
9D21

INSTRUCTION MANUAL

LINEAR EMERGENCY EQUIPMENT
UNIVERSAL INPUT



IMPORTANT SAFEGUARDS

WHEN USING ELECTRICAL EQUIPMENT, BASIC SAFETY PRECAUTIONS SHOULD ALWAYS BE FOLLOWED, INCLUDING THE FOLLOWING

READ AND FOLLOW ALL SAFETY INSTRUCTIONS

1. To prevent electric shock, switch off the mains power supply until installation is complete and AC power is supplied to this product.
2. This product requires an un-switched AC power supply of 120-277V, 50/60Hz.
3. Make sure all connections are in accordance with the National or Canadian Electrical code and any local regulations.
4. To reduce the risk of electrical shock, disconnect both normal and emergency power supplies and connector of this product before servicing.
5. It can provide minimum 90 minutes illumination under the emergency mode.
6. The product is UL Listed for field installation, and use with grounded.
7. The 18490X-1/2/3 are suitable for use in dry or damp locations. The 18490X-4 are suitable for use in outdoor or wet locations. Do not mount in near gas, heaters, air outlets or other hazardous location.
8. Use this product in 0°C minimum, 50°C maximum ambient temperatures (Ta).
9. Do not attempt to service the batteries. A sealed, non-maintenance battery is used that is not field replaceable. Contact the manufacturer for information or service.
10. The use of accessory equipment not recommended by the manufacturer may cause an unsafe condition and void warranty.
11. Do not use this product for other than intended use.
12. Installation and service should be performed by qualified service personnel.
13. This product should be mounted in locations and at heights where it will not readily be subjected to tampering by unauthorized personnel.



Li-ion

**THIS PRODUCT CONTAINS A RECHARGEABLE LI-ION BATTERY.
THE BATTERY MUST BE RECYCLED OR DISPOSED OF PROPERLY.**

INSTALLATION



CAUTION: MAKE CERTAIN THE AC POWER IS OFF UNTIL THE INSTALLATION IS COMPLETE.

1. SPECIFICATION OF 18490X-X SERIES MODEL

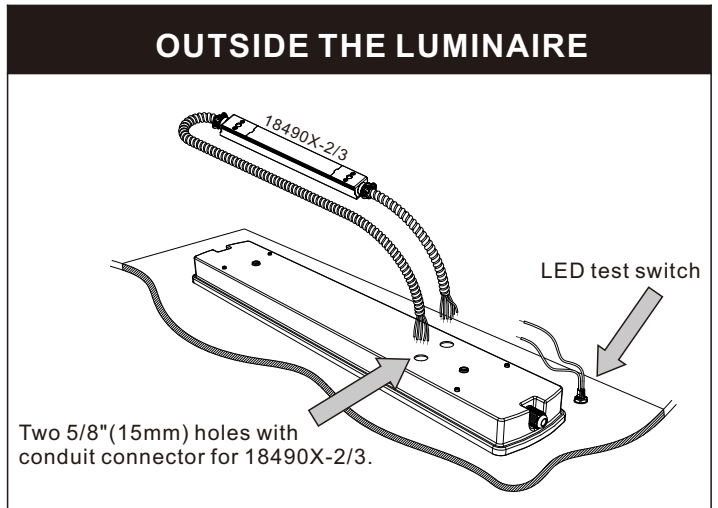
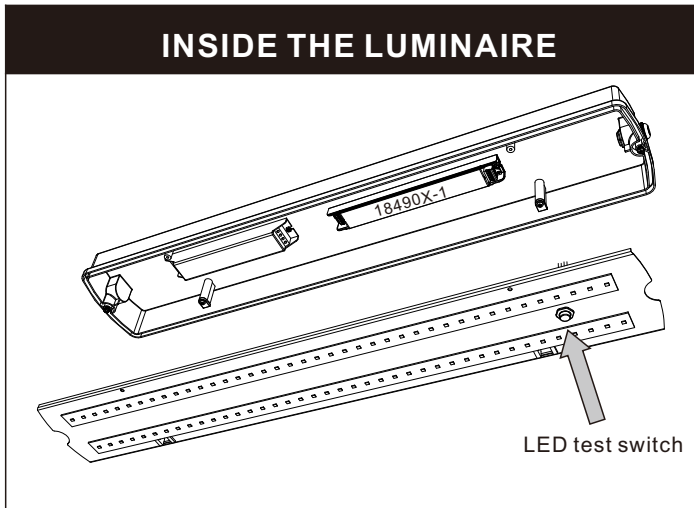
See the 18490X-X MODEL SPECIFICATION below for the model selected.

18490X-X MODEL SPECIFICATION

MODEL	VOLTAGE OUTPUT	EMERGENCY OUTPUT(CONSTANT)
184900-X	5-200 VDC	4.5 WATTS
184901-X	10-300 VDC	9 WATTS
184902-X	15-300 VDC	13.5 WATTS
184903-X	20-300 VDC	18 WATTS

2. INSTALLING THE 18490X-X

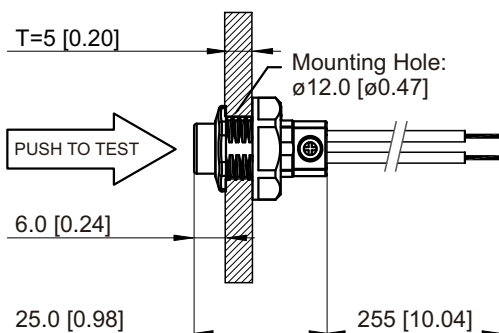
The 18490X-X can be mounted inside or outside (nearby or on top of) the luminaire.



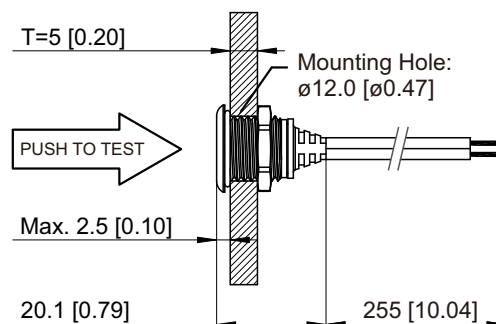
3. INSTALLING THE LED TEST SWITCH (LTS)

Select a convenient location for the LTS so that it can be seen after installation. Drill a 1/2" (12 mm) hole for mounting the LTS. Connect the wires from LTS to the 18490X-X model according to the wiring diagram on page 3.

LTS-IP20



LTS-IP66



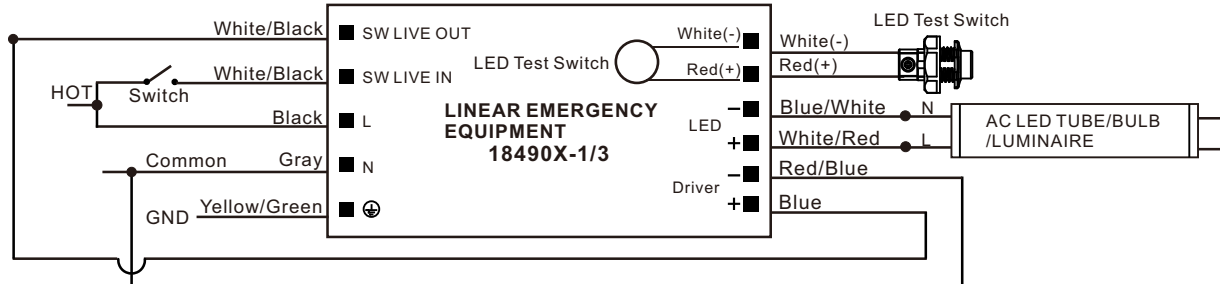
All dimensions are typical

Dimension unit: mm [inch]
Tolerance: ±1 [0.04]

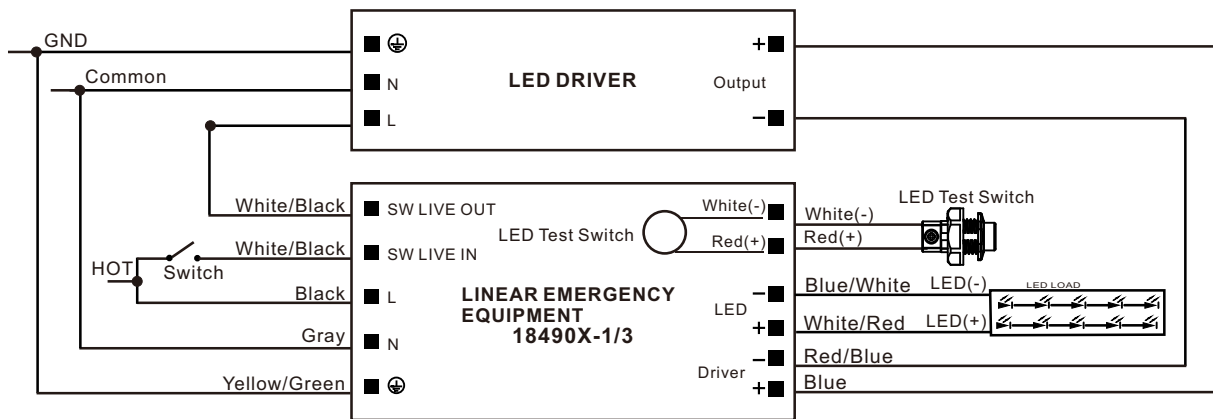
WIRING

1. The 18490X-X requires an unswitched AC power supply of 120-277 volt, 50/60Hz.
2. The 18490X-X and AC driver must be on the same branch circuit. Ensure the output current of the AC driver does not exceed 3A.
3. Refer the wiring diagrams below for wiring. Consult the factory for other wiring diagram.

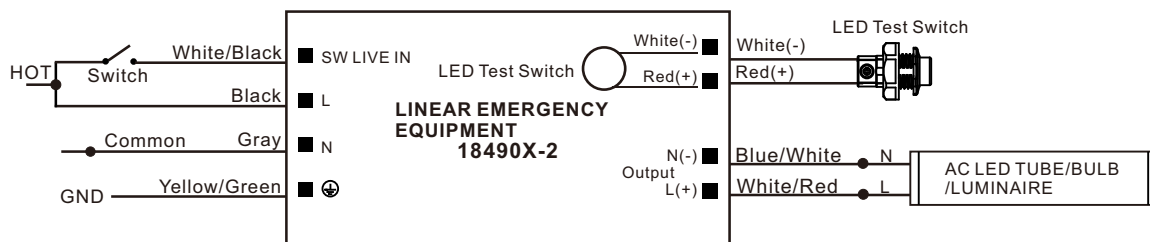
FOR AC LED TUBE/BULB/LUMINAIRE (18490X-1/3)



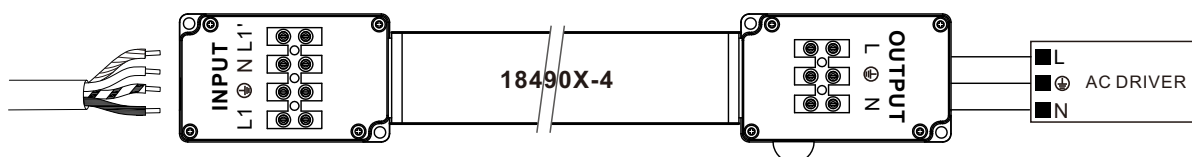
FOR DC LED LOAD (18490X-1/3)



FOR AC LED TUBE/BULB/LUMINAIRE (18490X-2)



FOR OUTDOOR AC LUMINAIRE (18490X-4)



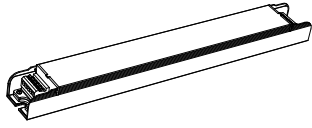
- L1' = Normal Light (Switched)
- N = Neutral
- ⊕ = Ground
- L1 = Emergency (Un-Switched)

DIMENSION

Three wiring configurations of 18490X-X series are as below:

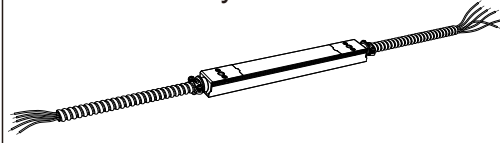
18490X-1

Push in terminal block
Built-in battery



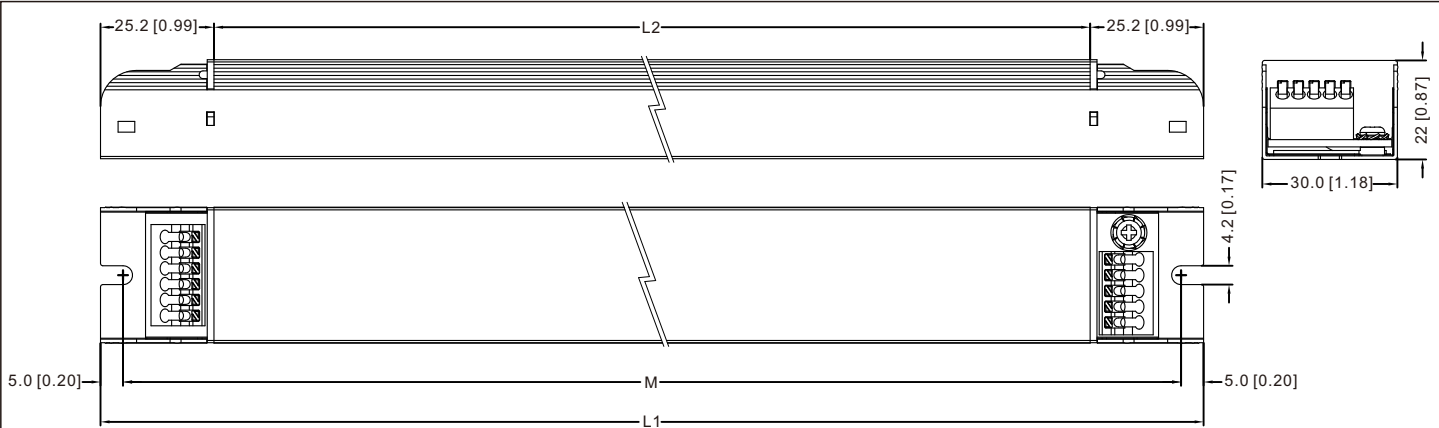
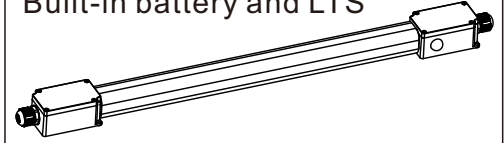
18490X-2/3

Dual 3/8' flexible conduit
Built-in battery



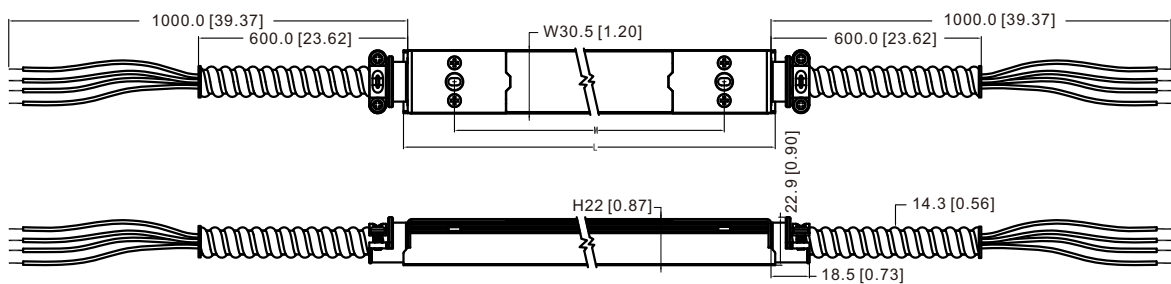
18490X-4

IP66 Waterproof mounting
Built-in battery and LTS



Dimension unit: mm [inch]

Item No.	L1 mm [inch]	M (Mounting) mm [inch]	W mm [inch]	H mm [inch]
184900-1	200 [7.87]	190 [7.48]	30 [1.18]	22 [0.87]
184901-1	260 [10.24]	250 [9.84]	30 [1.18]	22 [0.87]
184902-1	345 [13.58]	335 [13.19]	30 [1.18]	22 [0.87]
184903-1	410 [16.14]	400 [15.70]	30 [1.18]	22 [0.87]



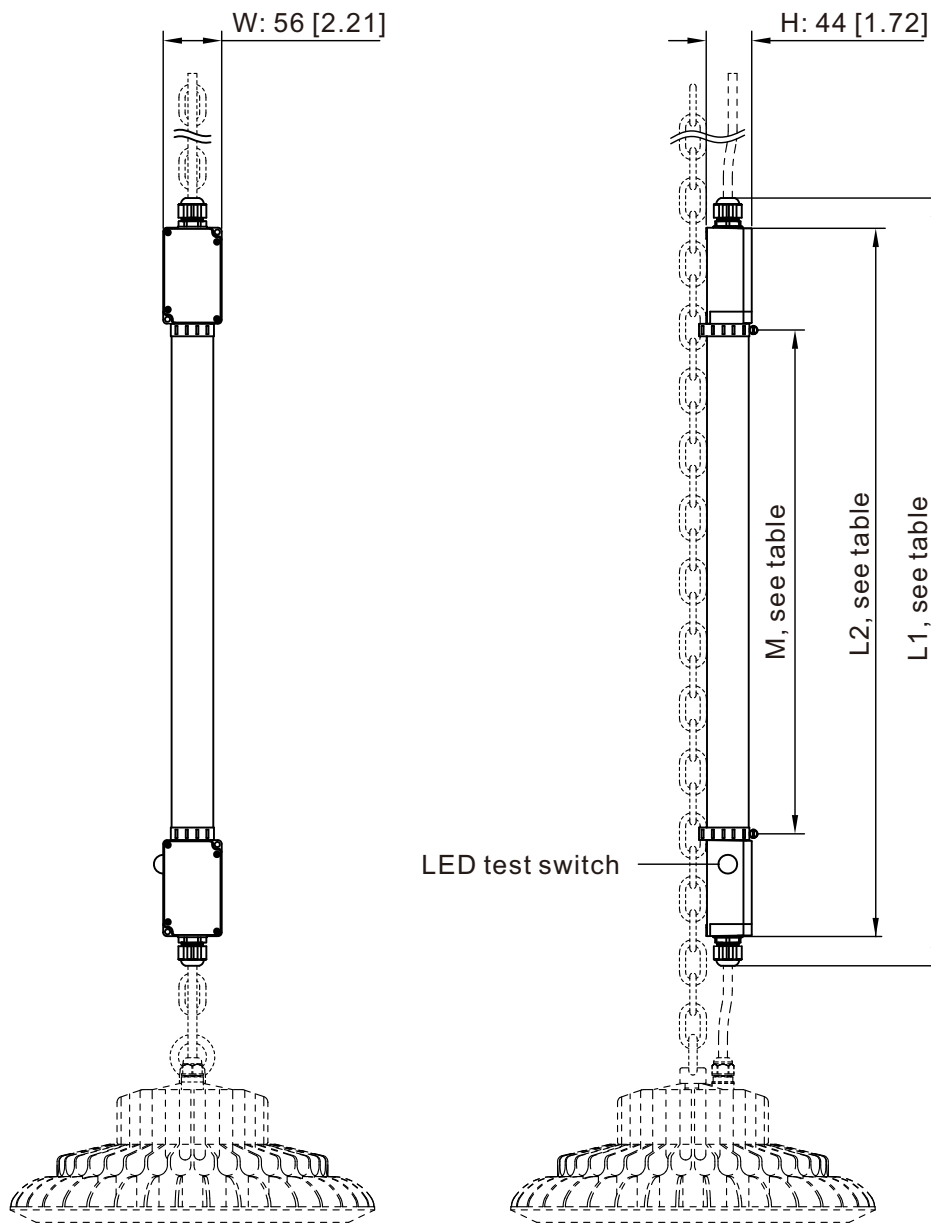
Dimension unit: mm [inch]

Item No.	L mm [inch]	M (Mounting) mm [inch]	W mm [inch]	H mm [inch]
184900-2/3*	258 [10.16]	209 [8.23]	30 [1.18]	22 [0.87]
184901-2/3*	318 [12.52]	269 [10.59]	30 [1.18]	22 [0.87]
184902-2/3*	403 [15.87]	354 [13.94]	30 [1.18]	22 [0.87]
184903-2/3*	468 [18.43]	419 [16.50]	30 [1.18]	22 [0.87]

* 18490X-2: 4 wires in, 4 wires out; 18490X-3: 5 wires in, 6 wires out

DIMENSION

18490X-4 SUSPENSION MOUNTING

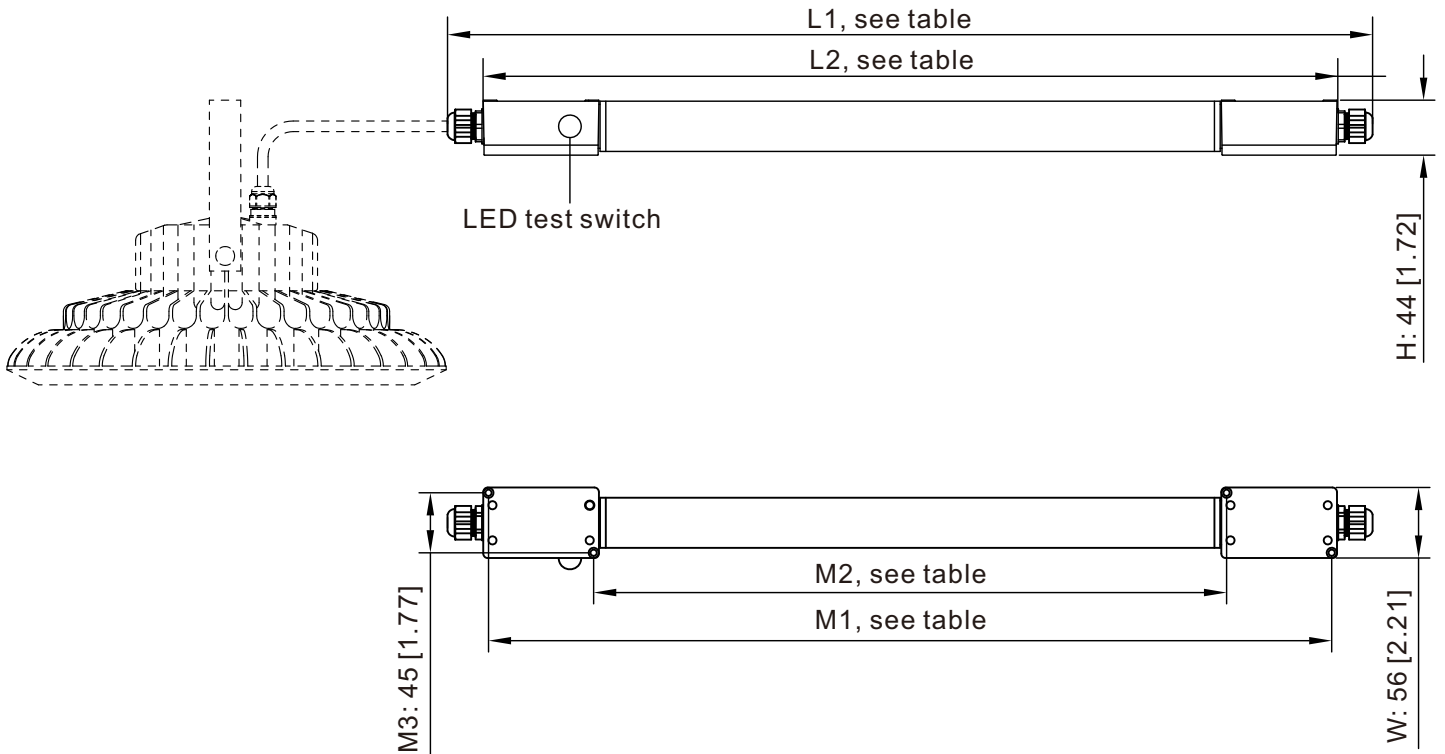


Dimension unit: mm [inch]

Item No.	L1 mm [inch]	L2 mm [inch]	M (Mounting) mm [inch]	W mm [inch]	H mm [inch]
184900-4	530±4 [20.87±0.16]	471 [18.54]	274 [10.79]	56 [2.21]	44 [1.72]
184901-4	590±4 [23.23±0.16]	531 [20.91]	334 [13.15]	56 [2.21]	44 [1.72]
184902-4	675±4 [26.57±0.16]	616 [24.25]	419 [16.50]	56 [2.21]	44 [1.72]
184903-4	740±4 [29.13±0.16]	681 [26.81]	484 [19.06]	56 [2.21]	44 [1.72]

DIMENSION

18490X-4
SURFACE MOUNTING



Dimension unit: mm [inch]

Item No.	L1 mm [inch]	L2 mm [inch]	M1 (Mounting) mm [inch]	M2 (Mounting) mm [inch]	M3 (Mounting) mm [inch]	W mm [inch]	H mm [inch]
184900-4	530±4 [20.87±0.16]	471 [18.54]	460 [18.10]	297 [11.69]	45 [1.77]	56 [2.21]	44 [1.72]
184901-4	590±4 [23.23±0.16]	531 [20.91]	520 [20.47]	357 [14.06]	45 [1.77]	56 [2.21]	44 [1.72]
184902-4	675±4 [26.57±0.16]	616 [24.25]	605 [23.82]	442 [17.40]	45 [1.77]	56 [2.21]	44 [1.72]
184903-4	740±4 [29.13±0.16]	681 [26.81]	670 [26.38]	507 [19.96]	45 [1.77]	56 [2.21]	44 [1.72]

OPERATION / TESTING / MAINTENANCE

OPERATION

When AC power is applied, the LED test switch is illuminated, indicating that the batteries are being charged. When AC power fails, the 18490X-X automatically switches to emergency power, operating the lighting load at rated emergency power. During power failure, the LED test switch will be off. When the AC power is restored, the emergency 18490X-X switches the system back to normal mode of operation and resumes battery charging. The minimum emergency operation time is 90 minutes. The charging time for a full discharge is 24 hours. A short term discharge test may be conducted after the 18490X has been charging for 1 hour. Charge for 24 hours before conducting a long term discharge test.

TESTING AND MAINTENANCE

The following Periodic testing is recommended to ensure the system is working correctly.

1. Visually inspect the LED test switch (LTS) monthly. It should be illuminated when AC power is applied.
2. Conduct a 30-second discharge test by switching off the emergency breaker every month. The LTS will be off.
3. Conduct a 90-minute discharge test once per year. The LTS will be off during test.

AUTO TEST

The 18490X-X has an Auto Test feature which saves cost by reducing the need for manual testing.

1. Initial Auto Test

When the system is connected properly and powered on, the 18490X-X will perform an initial Auto Test. If any abnormal conditions exist, the LTS will blink quickly. Once the abnormal condition is corrected, the LTS will function correctly.

2. Preprogrammed Scheduled Auto Test

- a) The unit will conduct the first Monthly Auto Test after 24 hours and up to 7 days after initial power on. Then monthly tests will be performed every 30 days.

- b) Annual Auto test will occur every 52 weeks after initial power on.

- Monthly Auto Test

The Monthly Auto Test shall be executed every 30 days, and will test;

Normal to emergency transfer function, emergency, charging and discharging conditions are normal. Monthly test time is approximately 30~60 seconds.

- Annual Auto Test

Annual Auto Test will occur every 52 weeks after the initial 24 hours full charge, and will test;

Proper initial battery voltage, 90-minute emergency operation and acceptable battery voltage at the end of the full 90-minute test.

If the Auto Test is interrupted by a power failure, a full 90-minute Auto Test will occur again 24 hours after the power is restored. If the power failure causes the battery to fully discharge, the product will restart the Initial Auto Test and Preprogrammed Scheduled Auto Test.

MANUAL TEST

- Press the LTS one time to simulate emergency mode.
- Press the LTS 2 times continuously within 5 seconds to force a monthly test. After the test is completed, the next (30-day) monthly test will count from this date.
- Press the LTS 3 times continuously within 5 seconds to force a annual test. After the test is completed, the next (52-week) annual test will count from this date.
- During any manual test, press and hold the LTS for greater than 3 seconds to terminate a manual test. The Preprogrammed Scheduled Auto Test time will not change.

LED TEST SWITCH CONDITIONS

LTS Slow Blinking: Normal Charging

LTS On: Battery Fully Charged - Normal Condition

LTS Off: Power Failure

LTS Gradual Change: In Testing Mode

LTS Quickly Blinking: Abnormal Condition - Corrective Action Required

GUIDELINE FOR FIELD INSTALLATION

The 18490X-X series model is suitable for field installation with suitable LED loads including LED luminaires, LED lamps and others. Follow below 3 steps to determine if your luminaire is eligible for field installation.

1) Determine Electrical Compatibility

Verify that the emergency driver (18490X-X series) selected does not exceed the power delivered to the LED loads (both voltage and current) of the normal LED driver.

2) Calculate Lumen Output in Emergency Mode

- A) Access luminaire data from Designlights Consortium website (www.designlights.org).
- B) Select "Search the DLC Qualified Product List" on the DLC homepage.
- C) Enter luminaire manufacturer name and part number in the "search by keyword" text window.
- D) Select "Search" tab to open the "Qualified Products List".
- E) Determine luminaire Lumens per Watt efficacy in "Rated Data" specifications.
- F) Multiply luminaire Lumens per Watt by Emergency rated output of the 18490X-X series model (Refer to below "18490X-X MODEL SPECIFICATION").

18490X-X MODEL SPECIFICATION

MODEL	EMERGENCY OUTPUT(CONSTANT)
184900-X	4.5 WATTS
184901-X	9 WATTS
184902-X	13.5 WATTS
184903-X	18 WATTS

3) Determine Suitability of Means of Egress Lighting Levels

Using industry standard lighting design software with the IES files for the emergency luminaires, verify that the above calculated emergency lumens are sufficient to meet Code-compliant path of egress illumination levels.

While the 18490X-X series has been found compliant with the requirements of UL Standard 924, it is ultimately the responsibility of the Designer/Specifier to assure the as-installed system delivers code-compliant path of egress illumination in accordance with national, state and local code requirements.