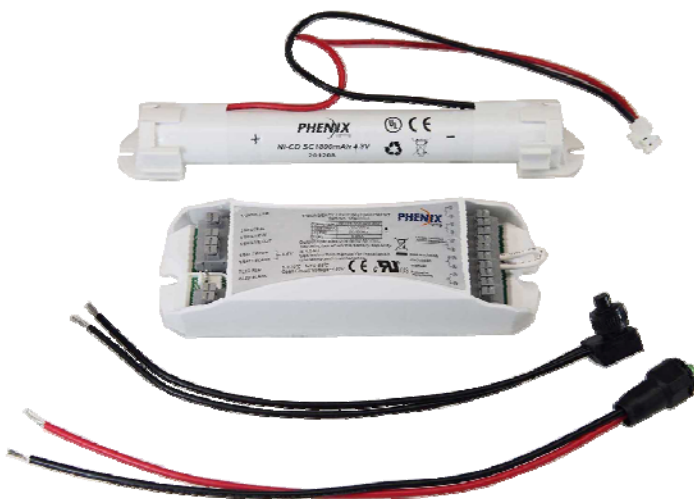


UNIVERSAL FLUORESCENT EMERGENCY BALLAST

184010-1

FEATURES



184010-1-4C1.8

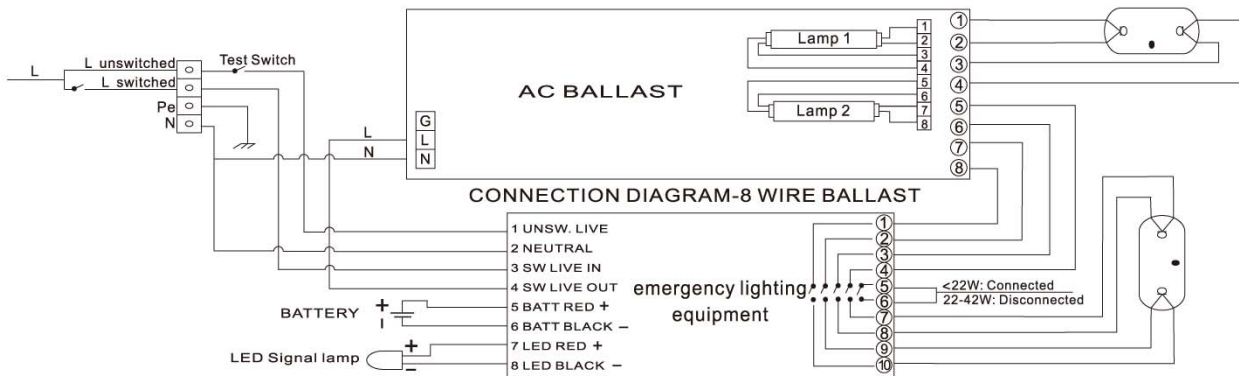
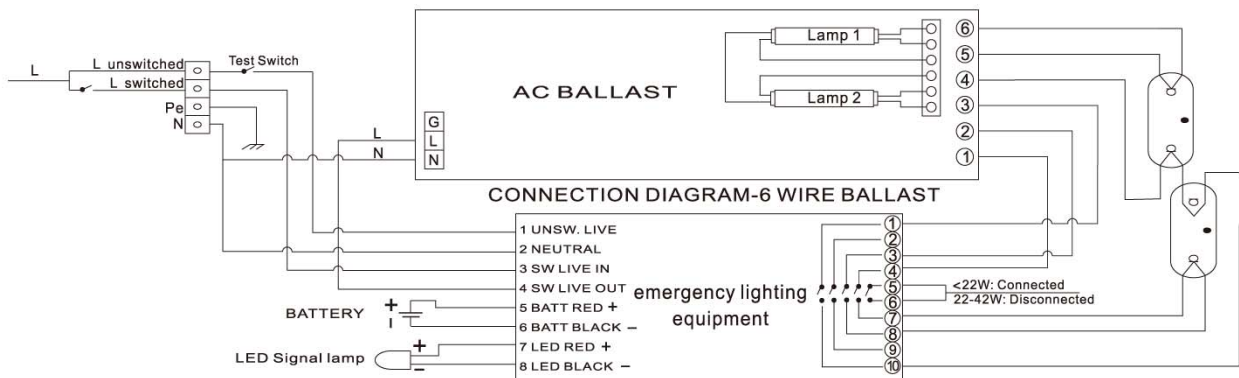
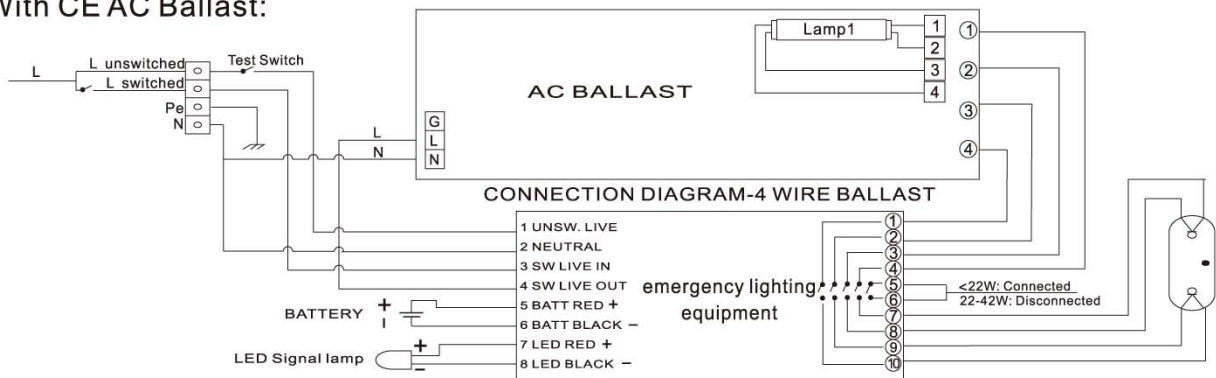
1. For emergency operation of fluorescent lamps
2. Normal and emergency mode conversion within 0.3 seconds
3. Over-discharge protection to extend the life of batteries
4. Isolated circuit for more safety in use
5. External high temperature Ni-CD battery pack

CHARACTERISTICS

Type	184010-1-4C1.8
Lamp type	Most 2'- 4' single bipin T8 to T12, 17W,18W,32W,36W, T5 28W, compact 42W, circular 40W fluorescent lamps
Voltage	120-277 VAC
Rated current	0.05A
Input wattage	3.5W
Battery voltage	1.8Ah,4.8V Ni-CD
Frequency	50/60Hz
Charging time	24 hours
Discharge time	>90 Minutes
Charging cycles	>500
Operation time for module	30,000 hours
Switching cycles for module	>20,000 times
Life time of module	5 years
Max. Charging current	0.11A
Max. Lumen output	500LM
Operation temperature	0-50°C (32°F-122°F)
EMC& FCC IC standard	EN 55015, EN 61547, EN 61000-3-2, EN 61000-3-3; FCC part 18; ICES-005
Safety standard	EN 61347-1, EN 61347-2-7;UL924, CSA C.22.2 No. 141
Meas. Module mm [inch]	L150 [5.91] x W49 [1.93] x H30.5 [1.20] Mounting Center: 140 [5.51]
Meas. Battery pack mm [inch]	L200 [7.87] x W32 [1.26] x H25 [0.98] Mounting Center: 190 [7.48]

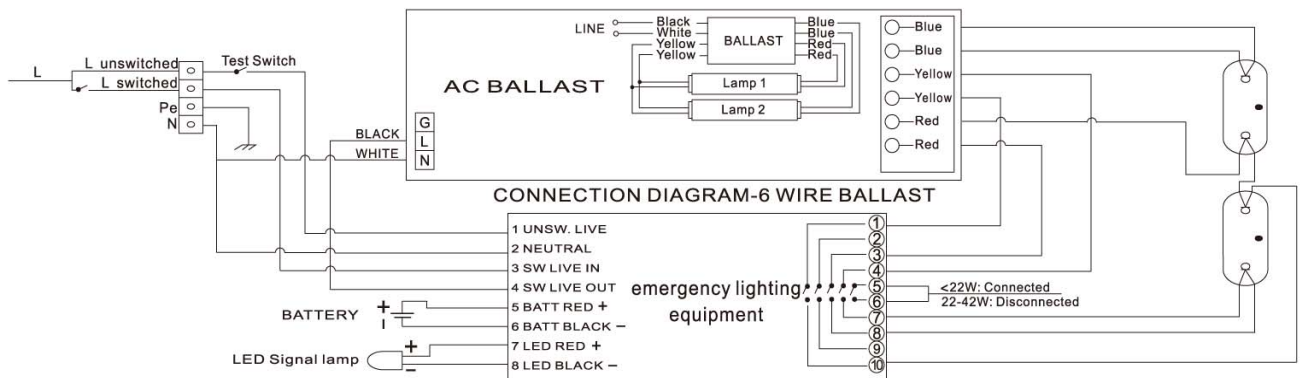
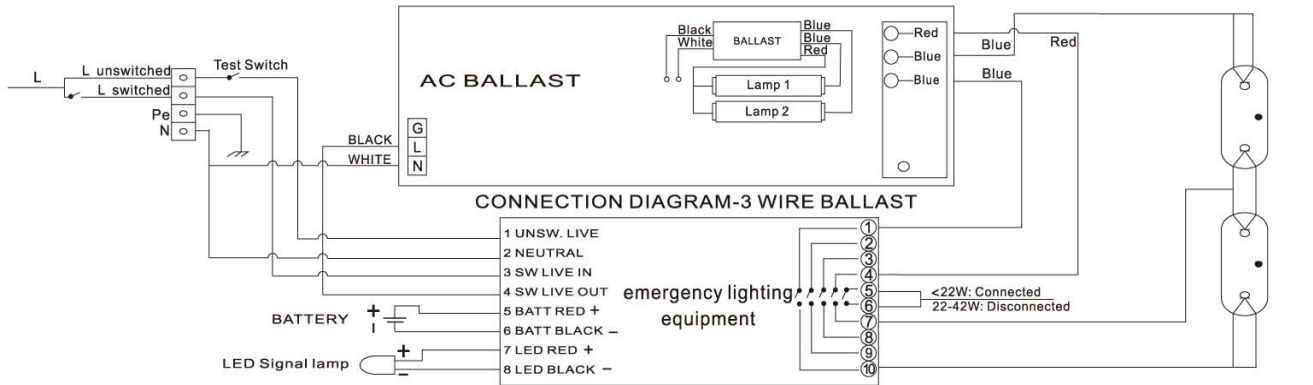
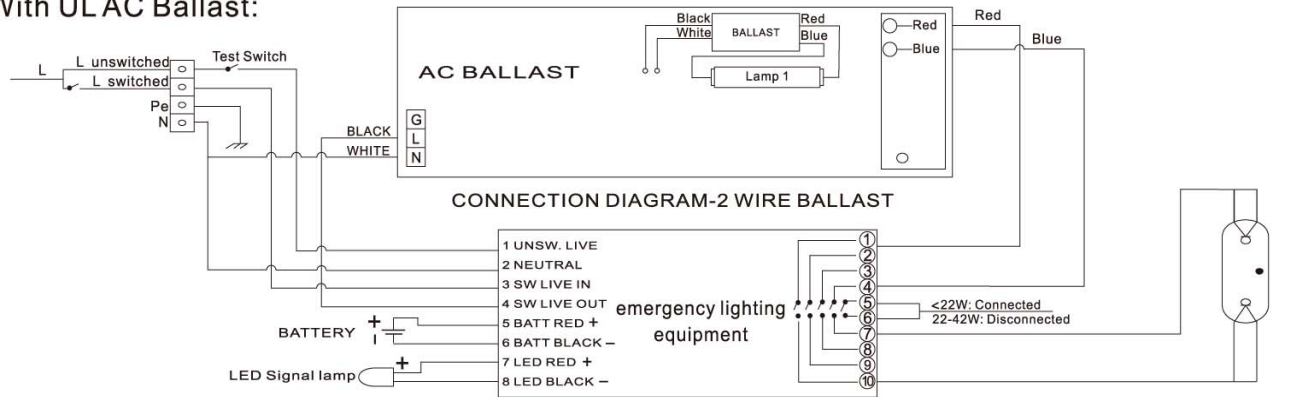
WIRING DIAGRAMS

With CE AC Ballast:

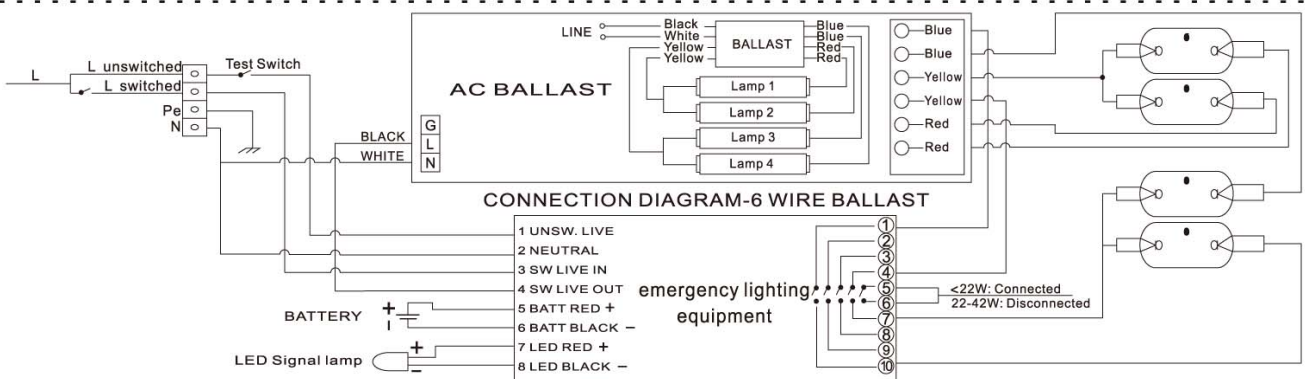
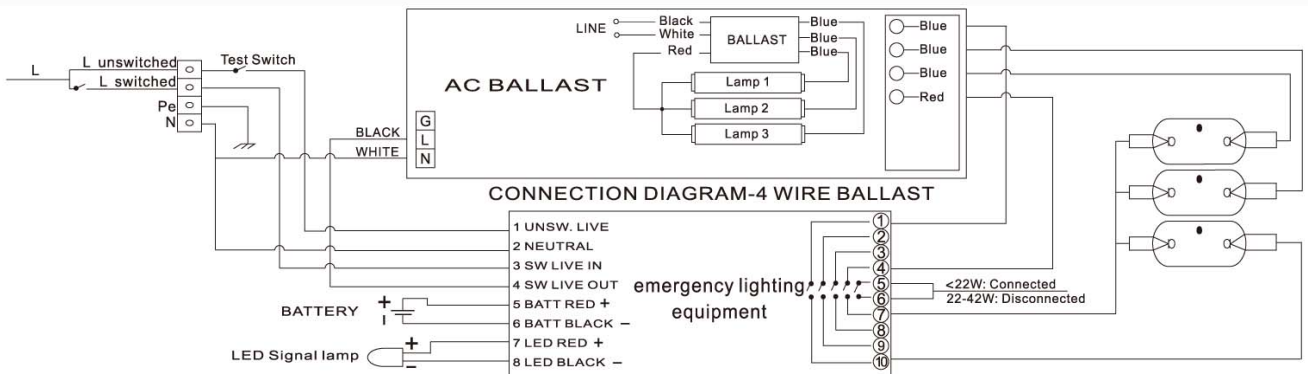


WIRING DIAGRAMS

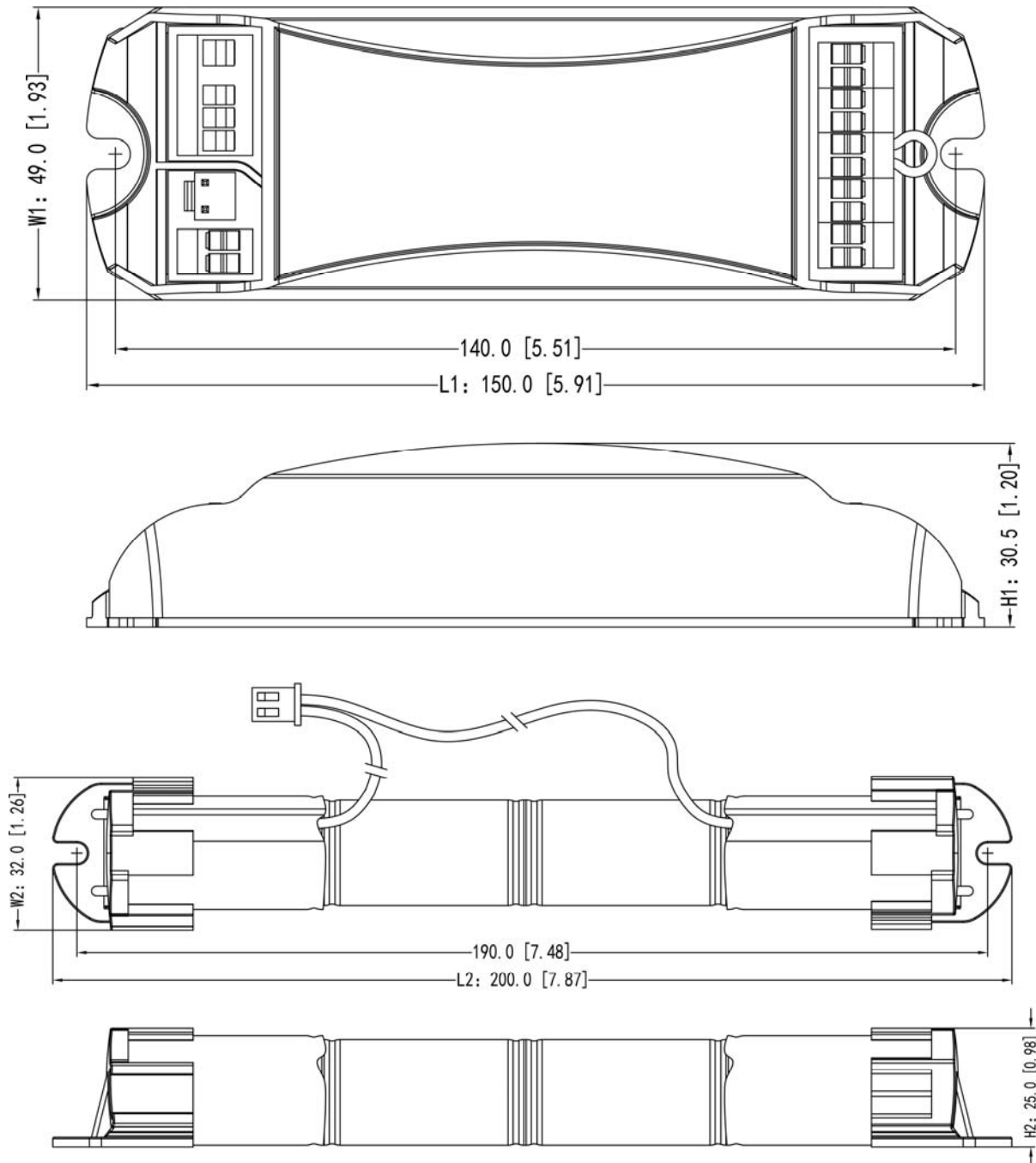
With ULAC Ballast:



WIRING DIAGRAMS



DIMENSIONS



Item No.	L1 mm [inch]	W1 mm [inch]	H1 mm [inch]	L2 mm [inch]	W2 mm [inch]	H2 mm [inch]	Weight kg [lbs]
184010-1-4C1.8	150 [5.91]	49 [1.93]	30.5 [1.20]	200 [7.87]	32 [1.26]	25 [0.98]	0.38 [0.84]

Dimensions in mm [inch]

Tolerance: ± 1 mm [0.04"]